

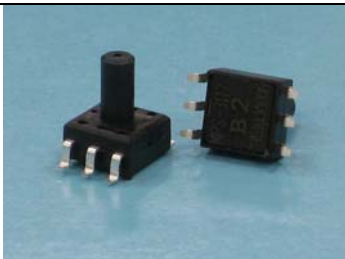
## MPS-3119 series Pressure Sensor

### ■ Features

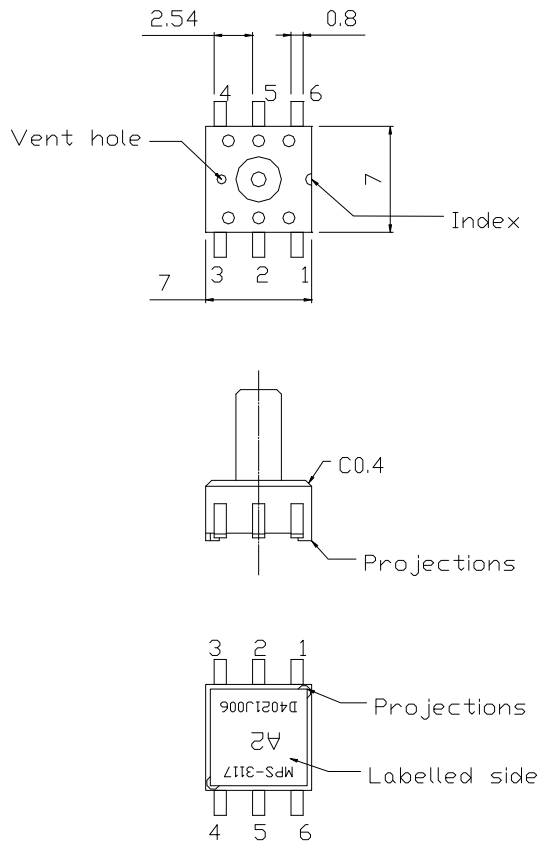
- Competitive price SMD package
- Wide operating temperature range:- 40 to +85°C
- Solid-state reliability
- Easy to Use
- Easily Embedded in OEM Equipment
- Gauge pressure type ( 5.8 PSI )

### ■ Applications

- Digital blood pressure meter
- Digital pressure gauges
- Environmental monitoring
- Consumer & sports
- Medical instrumentation & monitoring
- Disposable blood pressure sensor

Pressure type	Gauge
	MPS-3119 series
Model	

### ■ Outline dimensions

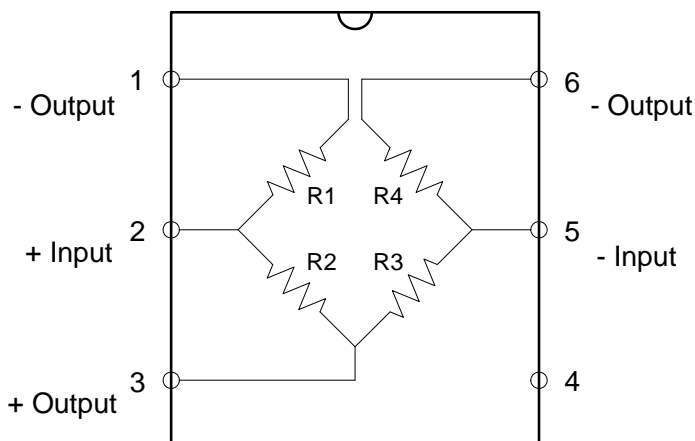


Unit: mm

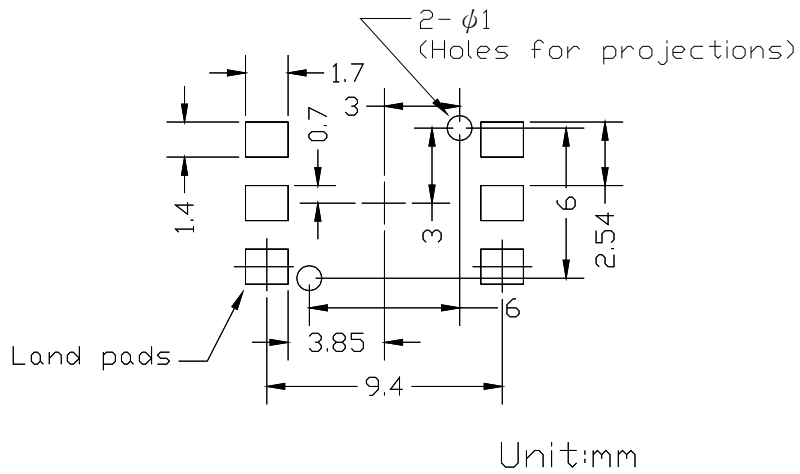
## ■ Specifications

Parameter	Min	Typ	Max	Units	Notes
<b>General</b>					
Pressure Range	5.8			PSIG	40 KPaG
Maximum Overpressure			2X		Rated pressure
Operating Temperature Range	-40		85	°C	-40 °F ~+185°F
Storage Temperature Range	-40		125	°C	-40 °F ~+257 °F
Operating humidity	15		85	% RH	No condensation
Media Compatibility	Clean, dry air & noncorrosive gases				
<b>Electrical performance<sup>(1)</sup></b>					
Excitation voltage	2	5	15	Vdc	
Excitation current	0.4	1	3	mA	(5)
Bridge resistance	4.5	5	5.5	kΩ	
<b>Offset Voltage</b>	<b>-15</b>		<b>15</b>	<b>mV</b>	
Full Scale Span Voltage	60	67.5	75	mV	
Linearity	-0.3	0.05	0.3	% Span	(2)
Temperature Coefficient of Zero Offset	-0.08		0.08	% Span/°C	(3)
Temperature Coefficient of Span	-0.16	-0.21 <sup>(4)</sup>	-0.26	%Span/°C	Const. Voltage excitation (3)
	-0.05	0.025 <sup>(5)</sup>	0.05		Const. Current excitation (3)
Temperature Coefficient of Resistance	0.17	0.2	0.23	%/°C	(3)
Notes :					
1. Unless otherwise specified, measurements were taken with a supply voltage of 5 Vdc at a temperature of 25±3°C and humidity ranging from 25% ~85% .					
2. Best fit straight line.					
3. Between 0°C and 50°C. Temperature coefficients are typical values.					
4. Measured only with constant voltage excitation (5V) .					
5. Measured only with constant current excitation.					
Metrodyne Microsystem Corp. reserves the right to make changes to the product specification in this publication.					

## ■ Terminal connection diagram



## ■ Recommended footprint



## ■ Ordering information

Part No.	Pressure type	Pressure range	Feature	Note
MPS-3119-006GC	Gauge	5.8 PSI	5kOhm	

## Metrodyne Microsystem Corp.

10, Prosperity Rd. II, Science-Based Industrial Park, Hsin-Chu 300, Taiwan, R.O.C.

Tel:886-3-5632161 Fax:886-3-5632509

E-mail:sales@metrodyne.com.tw <http://www.metrodyne.com.tw>