

MIS-3500 series (Preliminary) Integrated Pressure Sensor

■ Features

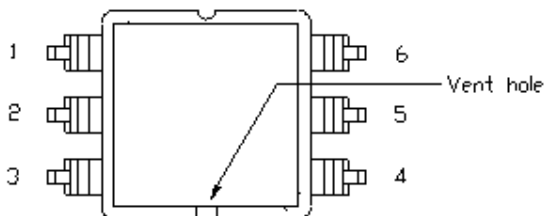
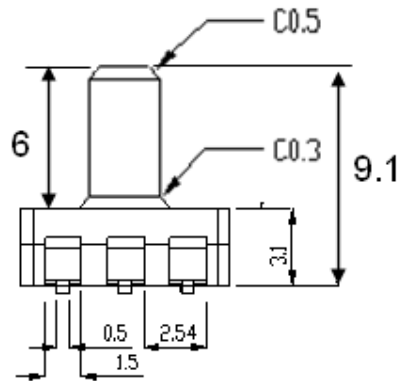
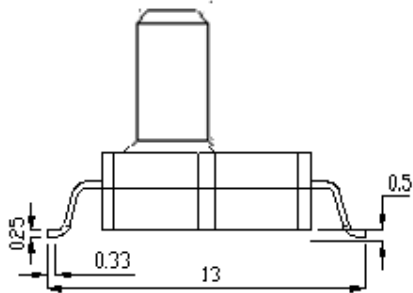
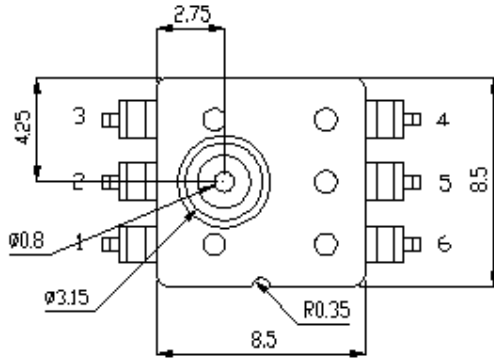
- Factory calibrated and temperature compensated
- $\pm 1.3\%$ FS accuracy (20 to 60°C)
- 3V or 5V rail to rail ratiometric analog output
- Gauge pressure or vacuum type
- Pressure range: 1, 5.8, 15, 30 psi & -1000mbar

■ Applications

- Industry control
- Medical instrumentation
- Pressure switch
- Hospital bed
- Pump control

The MIS-3500 is a intelligent pressure sensor which consist of a MEMS piezoresistive pressure sensor and a CMOS sensor interface IC. The interface IC enables easy and precise calibration of resistive bridge sensors via EEPROM. It correct digitally offset , gain and both temperature coefficients. All devices were factory calibrated and temperature compensated. Using MIS-3500 series is easy to get rid of bothersome calibrations and temperature compensations. The MIS-3500 can provide 3V or 5V rail-to-rail ratiometric analog output.

■ Outline Dimensions



Unit: mm

■ Specifications

Parameter	Min	Typ	Max	Units	Notes
Absolute Maximum Ratings					
Supply Voltage	-0.3		6.0	V	
Maximum Overpressure			2X	Rated pressure	
Storage Temperature Range	-50		125	°C	
Operating Temperature Range	-40		85	°C	
Operating humidity	15		85	% RH	No condensation
Media Compatibility	Clean, dry air & non-corrosive gases				
Recommended Operating Conditions					
Pressure Range	1、5.8、15、30 Psi & -1000mbar				
Supply Voltage					
MIS-3500 series	4.75	5	5.25	V	
MIS-3503 series	2.7	3	3.3		
Supply Current	0.25		2	mAdc	
Power ON Rise Time			100	ms	
Offset voltage (0 to 85°C)					
MIS-3500 series	0.16	0.25	0.34	V	rail to rail output
MIS-3503 series	0.096	0.15	0.204		
Full scale output (0 to 85°C)					
MIS-3500 series	4.66	4.75	4.84	V	rail to rail output
MIS-3503 series	2.796	2.85	2.904		
Full scale span (0 to 85°C)					
MIS-3500 series	4.32	4.5	4.68	V	rail to rail output
MIS-3503 series	2.592	2.7	2.808		
Accuracy					
20 to 60°C	-1.3		1.3	%FS	
0 to 85°C	-2		2		
Sensitivity					
1psi		4.5	V/Psi		
5.8psi		0.776	V/Psi		
15psi		0.3	V/Psi		
30psi		0.15	V/Psi		
-1000mbar		4.5e-3	V/mbar		
Response time		1		ms	
Warm-up time		20		ms	
Offset stability			±0.25	%FS	
External Capacitance between Vdd and Gnd	100	220	470	nF	
Output load Capacitance		10	15	nF	
Notes :					
1. Unless otherwise specified, measurements were taken with a supply voltage of 5 Vdc at a temperature of 25±3°C and humidity ranging from 25% ~ 85% .					
Metrodyne Microsystem Corp. reserves the right to make changes to the product specification in this publication.					

■ Ordering Information

Part No.	Pressure type	Pressure range	Supply voltage	Note
MIS-3500-001G	Gauge	1 PSI	5V	
MIS-3500-006G	Gauge	5.8 PSI	5V	
MIS-3500-015G	Gauge	15 PSI	5V	
MIS-3500-030G	Gauge	30 PSI	5V	
MIS-3500-015V	Vacuum	-1000mbar	5V	Vacuum
MIS-3503-001G	Gauge	1 PSI	3V	
MIS-3503-006G	Gauge	5.8 PSI	3V	
MIS-3503-015G	Gauge	15 PSI	3V	
MIS-3503-030G	Gauge	30 PSI	3V	
MIS-3503-015V	Vacuum	-1000mbar	3V	Vacuum

■ Transfer Function

$$P = \frac{(V_{out} - 0.25)}{Sen.}$$

P : pressure value

V_{FSO} : Full scale output voltage

Sen. : Sensitivity

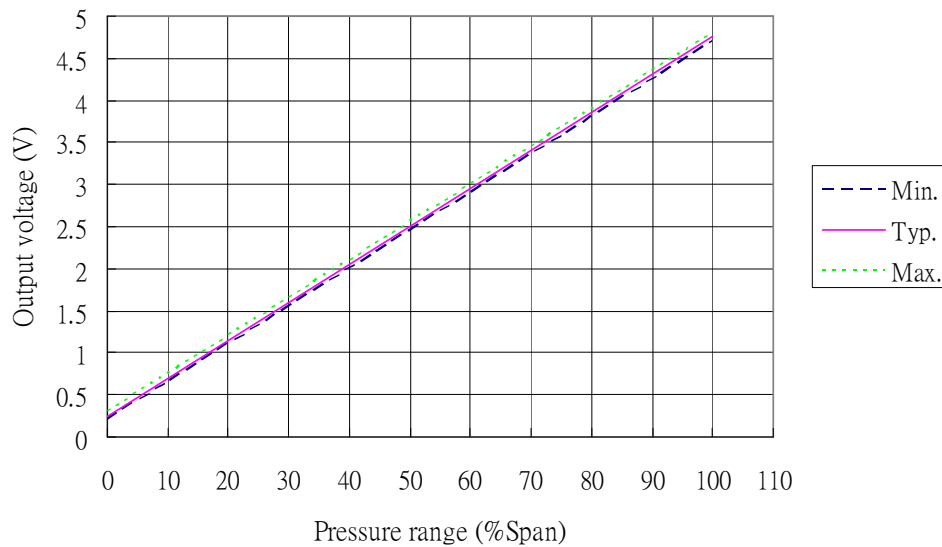
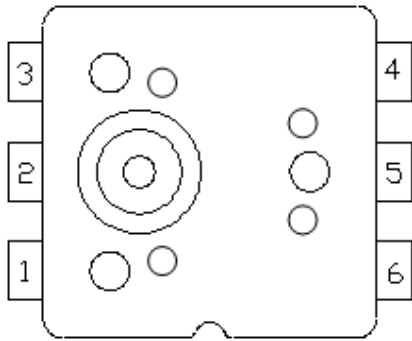


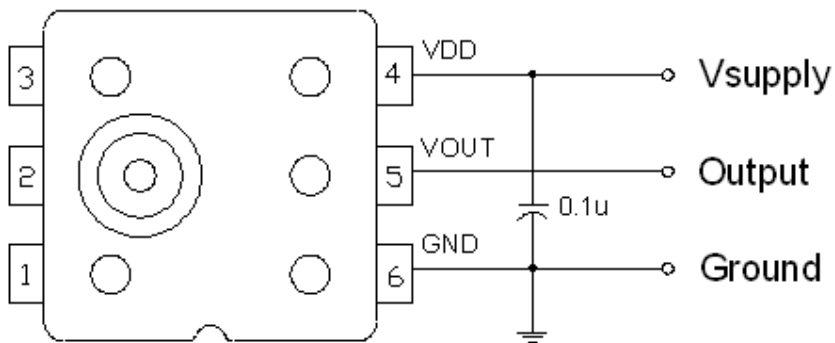
Fig.1 Output voltage vs. Pressure range

■ Pin Configuration

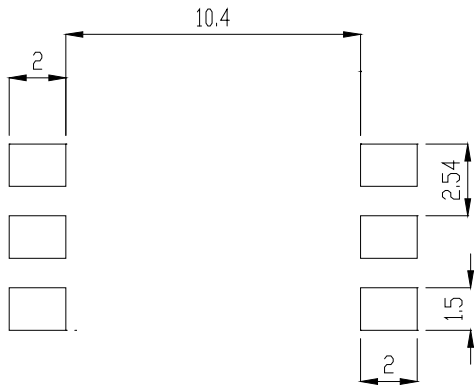


Pin No.	Name	Description
1	NC	No connection
2	NC	No connection
3	NC	No connection
4	VDD	Supply voltage
5	VOUT	Voltage output
6	GND	Ground supply

■ Application Circuit Examples



■ **Recommended Footprint**



Unit: mm

 **Metrodyne Microsystem Corp.**

10, Prosperity Rd. II, Science-Based Industrial Park, Hsin-Chu 300, Taiwan, R.O.C.

Tel:886-3-5632161 Fax:886-3-5632509

E-mail:sales@metrodyne.com.tw <http://www.metrodyne.com.tw>